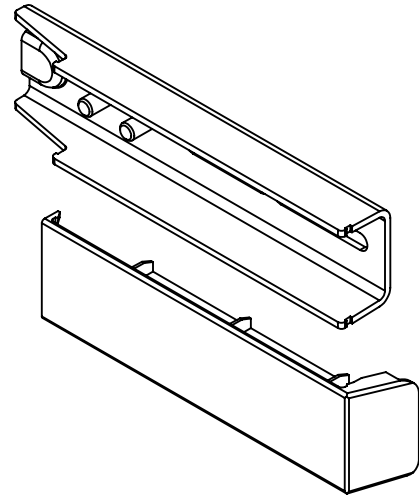


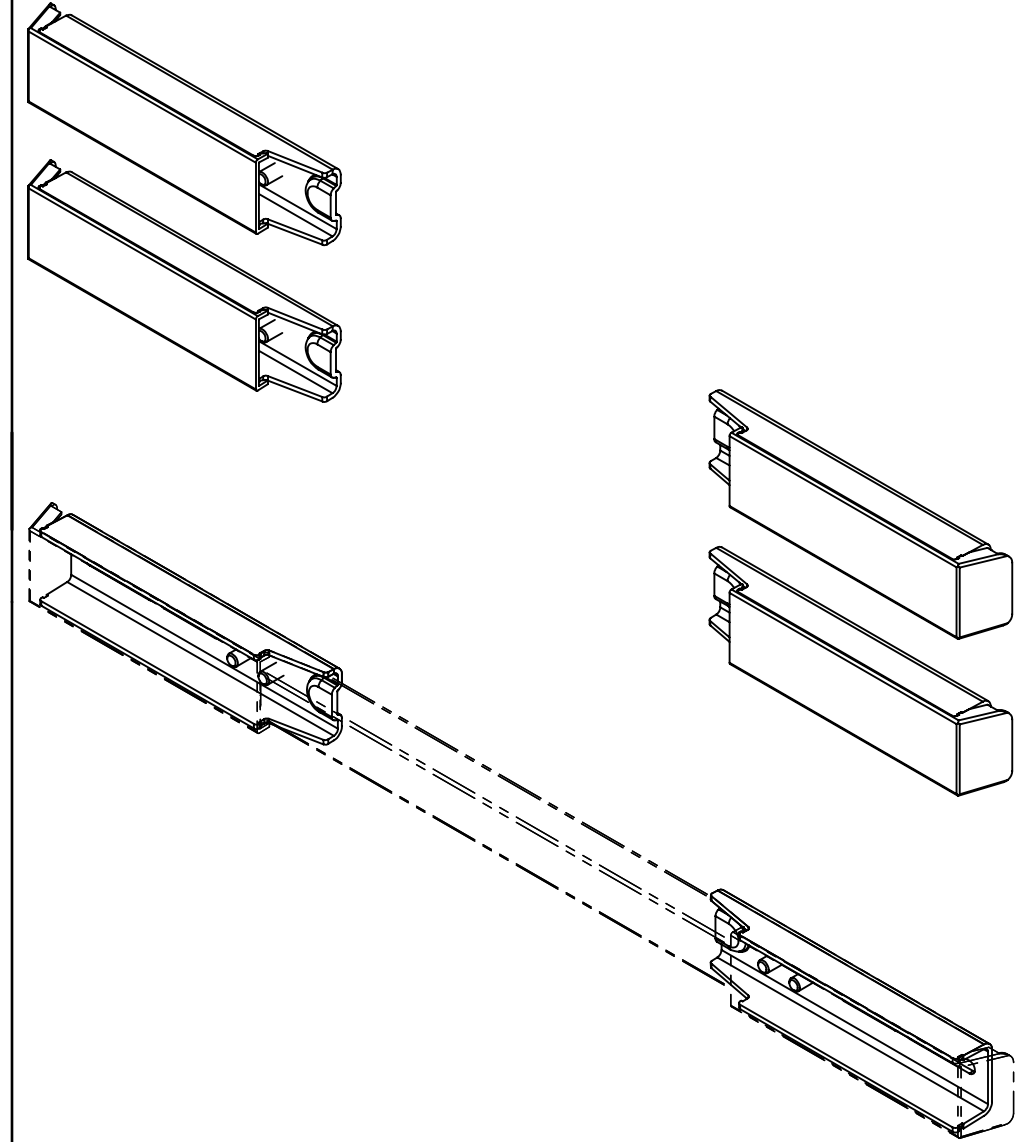
3-D - SINGLE



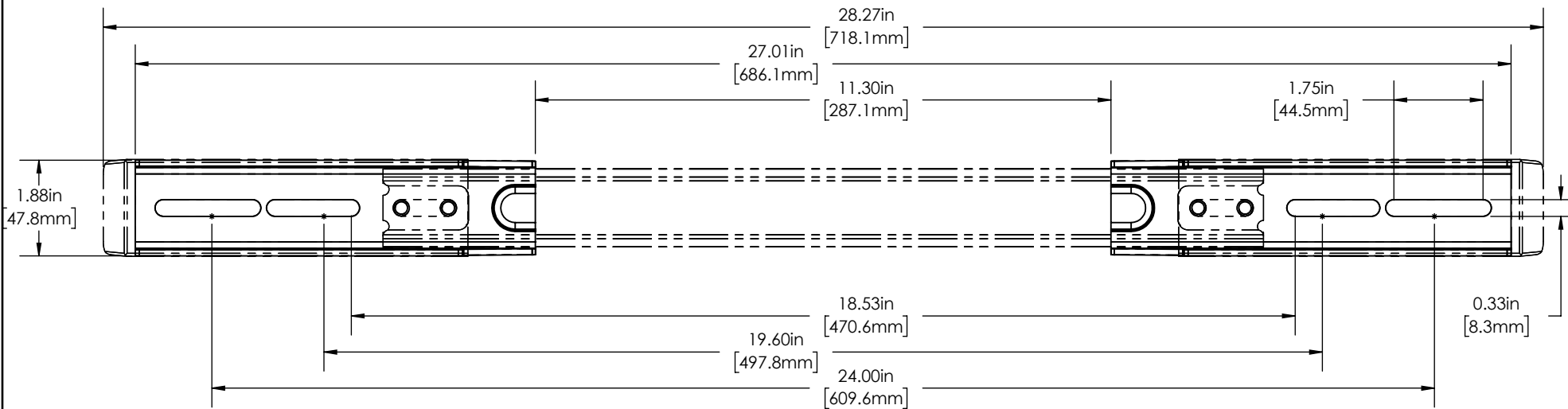
**WALL PLATE EXTENDER KIT
6805-002340-XXX**

THE INFORMATION AND DESIGNS CONTAINED IN THIS DRAWING ARE CONFIDENTIAL AND THE PROPRIETARY PROPERTY OF LEGRAND | AV. NEITHER THIS DESIGN NOR ANY INFORMATION CONTAINED IN THIS DRAWING MAY BE REPRODUCED OR DISCLOSED TO OTHERS WITHOUT THE EXPRESS WRITTEN CONSENT OF LEGRAND | AV. 本图纸所包含的信息和设计均系 LEGRAND | AV 机密和知识产权，本图纸包含的设计和信息未经 LEGRAND | AV 书面同意均不得复制或 者泄露给他人

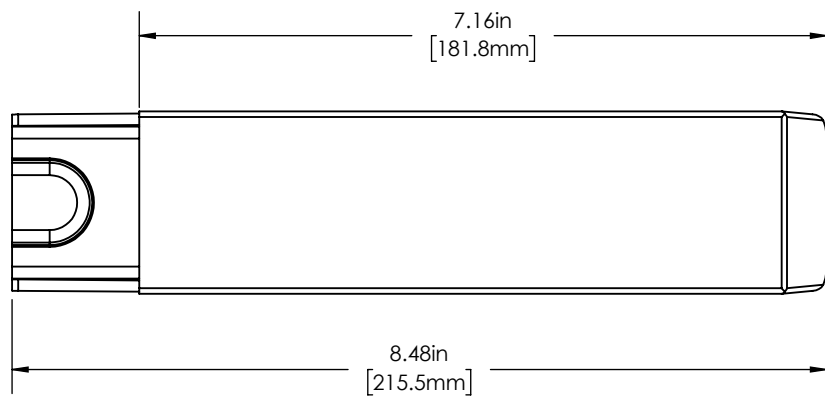
3-D



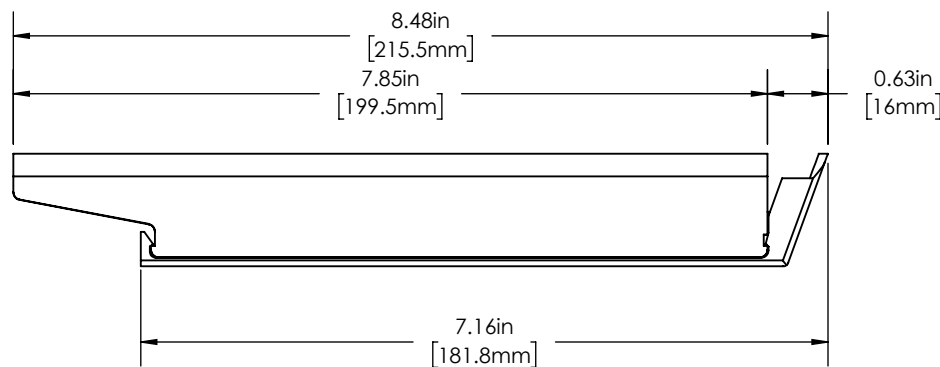
WALL PLATE - AS INSTALLED



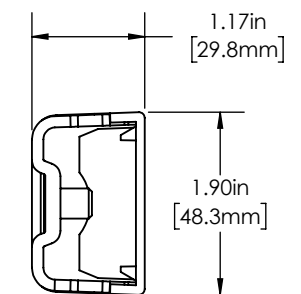
FRONT VIEW - SINGLE



TOP VIEW - SINGLE



SIDE VIEW - SINGLE



WALL PLATE EXTENDER KIT 6805-002340-XXX

